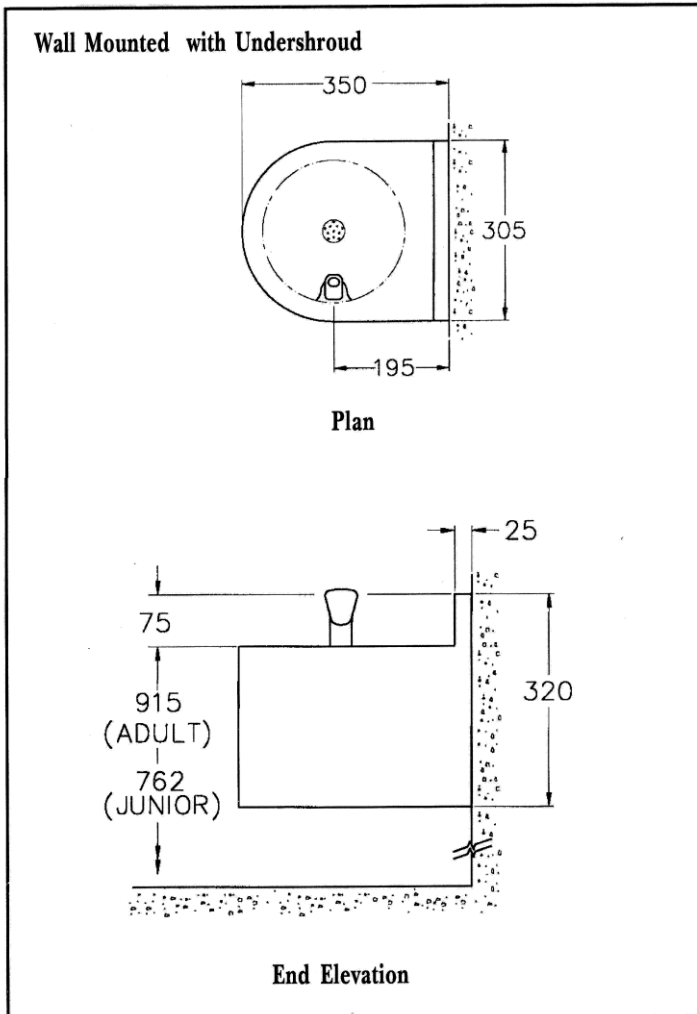


WALL MOUNTED DRINKING FOUNTAIN

Technical Specification

PRODUCT CODE
CWS WMDF 462

MAY 2016



Waste Outlet

The drinking fountain is supplied with a 32 mm (1¹/₄ in) BSP flush grated waste fitting

Bubbler Valve

The drinking fountain is supplied with a WRAS approved chrome plated shielded bubbler with closing push button valve. The valve is supplied with a water inlet fitting to suit 15mm diameter pipe work. If required, adjustment of the water flow through the bubbler should be done using a separate valve installed before the fountain inlet connection.

Product Code Selection for Order or Quotation

1. Base Product Code

- CWS WMDF 462 -wall mounted drinking fountain with

2. Options

- WG -White Enviro-Glaze
(other colours please specify _____)

Unit 1, Elphicks Farm, Spelmonden Road, Horsmonden, Tonbridge. Kent TN12 8EL
Phone: 01580 211648 E-mail: info@cactuswatersystems.co.uk

Cactus Water Systems / the manufacturer reserve the right to change the design and specification of goods without notice. Descriptions in this sheet are correct at time of going to press but are subject to alteration. Details of any changes will be available