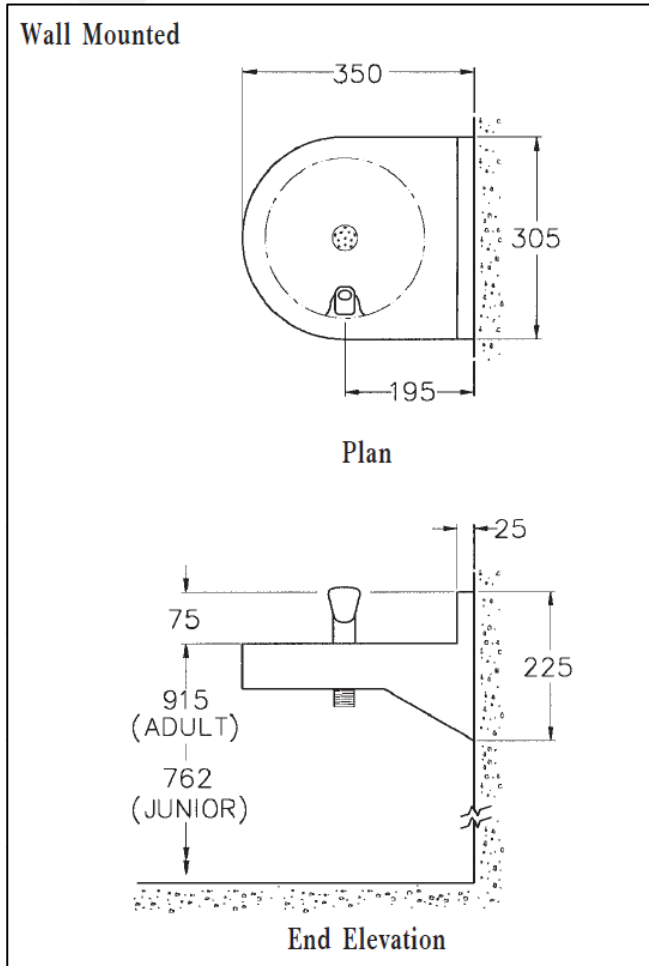


# WALL MOUNTED DRINKING FOUNTAIN

PRODUCT CODE  
**CWS WMDF 461**

MAY 2016

## Technical Specification



### Waste Outlet

The drinking fountain is supplied with a 32 mm (1<sup>1</sup>/<sub>4</sub> in) BSP flush grated waste fitting

### Bubbler Valve

The drinking fountain is supplied with a NSF approved chrome plated shielded bubbler with self closing push button valve. The valve incorporates a flow adjuster and strainer and is supplied with a water inlet fitting to suit 15 mm diameter pipework.

### Product Code Selection for Order or Quotation

#### 1. Base Product Code

- CWS WMDF 461 -wall mounted drinking fountain with bubbler valve

#### 2. Options

- WG -White Enviro-Glaze  
(other colours please specify \_\_\_\_\_)

Unit 1, Elphicks Farm, Spelmonden Road, Horsmonden, Tonbridge. Kent TN12 8EL  
Phone: 01580 211648 E-mail: [info@cactuswatersystems.co.uk](mailto:info@cactuswatersystems.co.uk)

Cactus Water Systems / the manufacturer reserve the right to change the design and specification of goods without notice. Descriptions in this sheet are correct at time of going to press but are subject to alteration. Details of any changes will be available