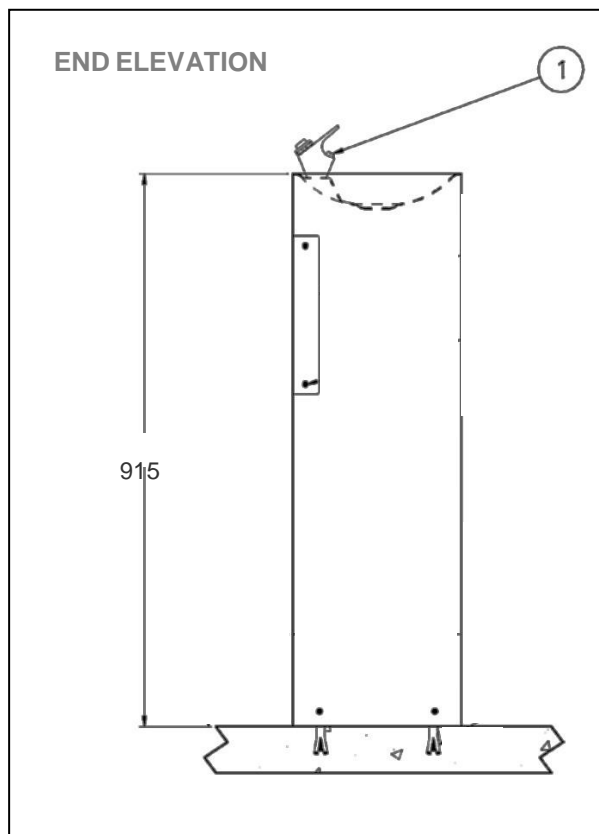


# PEDESTAL DRINKING FOUNTAIN

## Technical Specification

PRODUCT CODE  
**CWS PDF 481**

MAY 2016



END ELEVATION

### Waste Outlet

The drinking fountain is supplied with a 32 mm (1¼ in) BSP flush grated waste fitting.

### Bubbler Valve

The drinking fountain is supplied with a NSF approved chrome plated shielded bubbler with self closing push button valve. The valve incorporates a flow adjuster and strainer and is supplied with a water inlet fitting to suit 15mm diameter pipework.

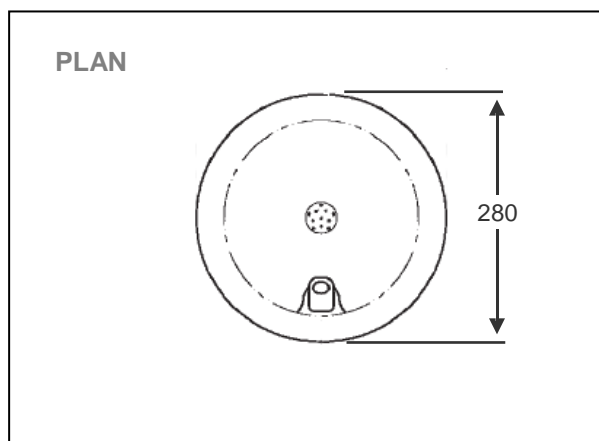
### Product Code Selection for Order or Quotation

#### 1. Base Product Code

- CWS PDF 481-pedestal drinking fountain

#### 2. Options

- WG -White Enviro-Glaze  
Other colours \_\_\_\_\_ (please specify)



PLAN

Unit 1, Elphicks Farm, Spelmonden Road, Horsmonden, Tonbridge. Kent TN12 8EL  
Phone: 01580 211648 E-mail: [info@cactuswatersystems.co.uk](mailto:info@cactuswatersystems.co.uk)

Cactus Water Systems / the manufacturer reserve the right to change the design and specification of goods without notice. Descriptions in this sheet are correct at time of going to press but are subject to alteration. Details of any changes will be available