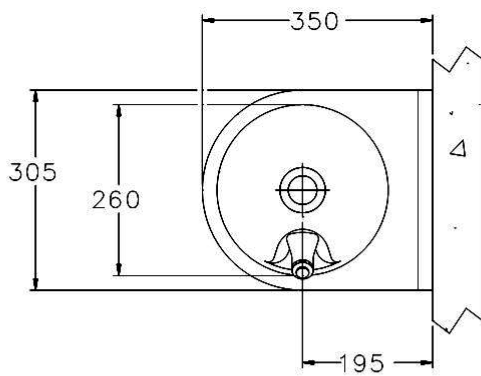


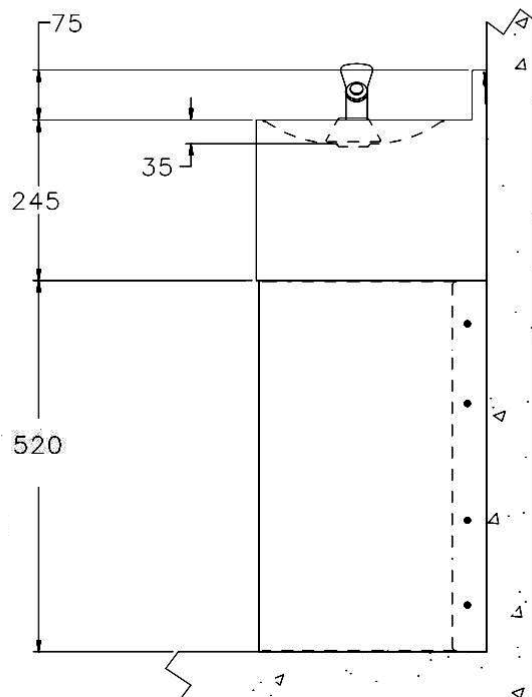
**FLOOR STANDING
DRINKING FOUNTAIN
JUNIOR HEIGHT**
Technical Specification

PRODUCT CODE
CWS FSDFJ 472

May 2016



PLAN



END ELEVATION

Waste Outlet

The drinking fountain is supplied with a 32 mm (1¼ in) BSP flush grated waste fitting

Bubbler Valve

The drinking fountain is supplied with a NSF approved chrome plated shielded bubbler valve with self closing push button valve. The bubbler valve incorporates a flow adjuster and strainer and is supplied with a water inlet fitting to suit 15 mm diameter pipework.

Product Code Selection for Order or Quotation

1. Base Product Code

472 -junior height floor standing drinking fountain For

adult height model please refer to model 471

Unit 1, Elphicks Farm, Spelmonden Road, Horsmonden, Tonbridge. Kent TN12 8EL
Phone: 01580 211648 E-mail: info@cactuswatersystems.co.uk