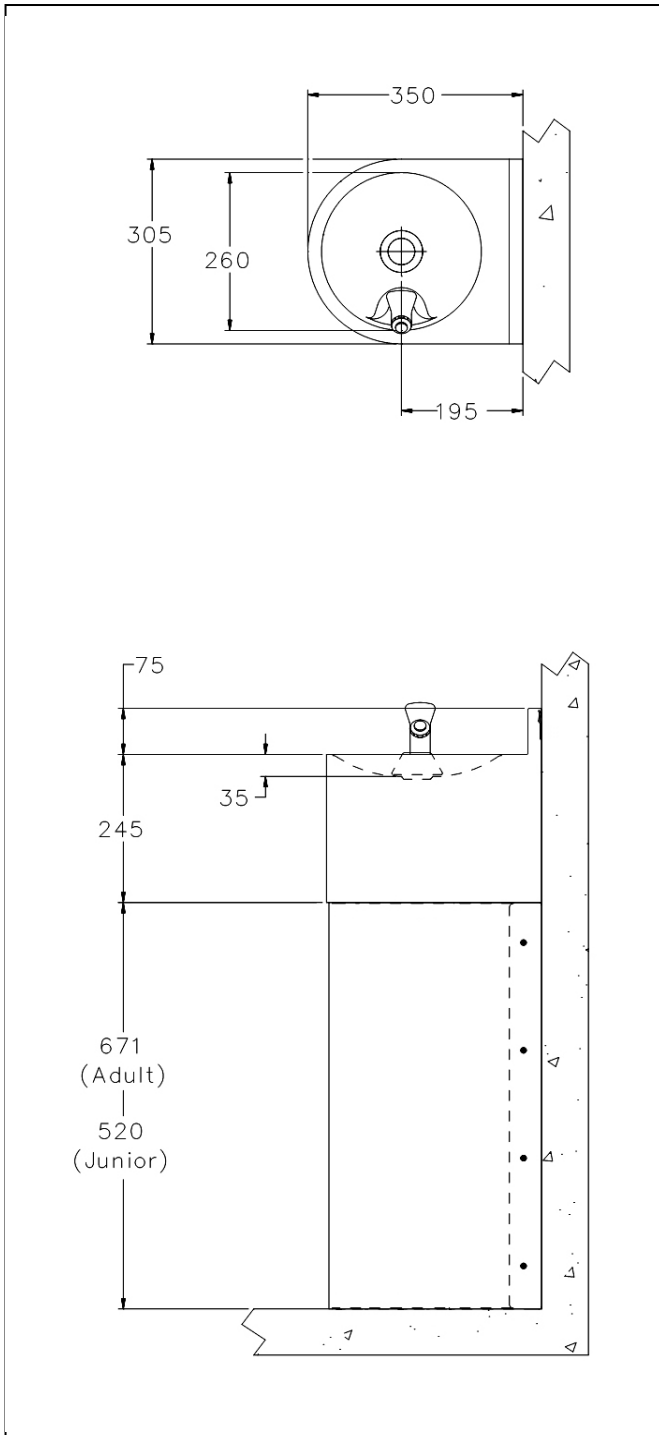


FLOOR STANDING BOTTLE FILLING FOUNTAIN

Technical Specification

PRODUCT CODE
CWS FSBFJ 474

JANUARY 2015



Waste Outlet

The bottle filling fountain is supplied with a 32 mm (1¹/₄ in) BSP flush grated waste fitting

Bottle Filling Valve

The bottle filling fountain is supplied with a chrome plated swan neck bottle filler with self closing push button valve. The valve incorporates a flow adjuster and strainer and is supplied with a water inlet fitting to suit 15 mm diameter pipework.

Product Code Selection for Order or Quotation

1. Base Product Code

- 473 -adult height floor standing bottle filling fountain
- 474 -junior height floor standing bottle filling fountain

PLEASE NOTE:

The diagrams show models 471 and 472.

The dimensions are identical except for the bottle filler itself

Unit 1, Elphicks Farm, Spelmonden Road, Horsmonden, Tonbridge. Kent TN12 8EL
Phone: 01580 211648 E-mail: info@cactuswatersystems.co.uk