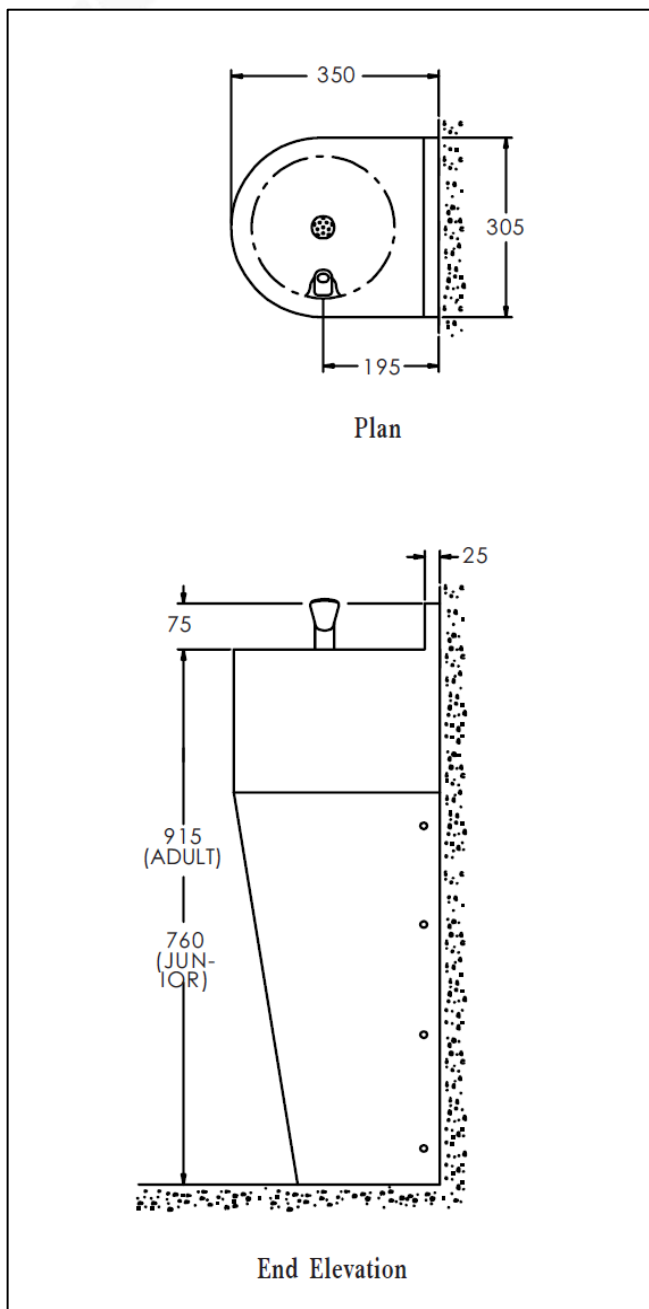


# FLOOR STANDING BOTTLE FILLING FOUNTAIN

PRODUCT CODE  
**CWS FSBFJ 474**  
MAY 2012



**Note: Illustrations show models 471 & 472 drinking fountains: dimensions are the same for the 473 & 474 bottle filling fountains**

## Installation

The bottle filling fountain should be fitted to the wall at a height generally in accordance with the product data sheet. The lower section should be removed from the mounting frame and the frame should be secured to the wall and floor. The base plate should be removed from the upper section and the plate discarded. The wall-mounting bracket should be screwed to the wall at the appropriate height so that the frame can be screwed up into the captive nuts when the upper section is hung from the bracket. The upper section should then be fixed to the wall through the two holes at the rear of the casing.

The flush grated waste fitting and the bottle filling spout should be fitted to the appropriate holes in the casing. PTFE sealing tape should be applied to the male thread of the brass fitting to ensure a seal with the bottle filler.

The waste and the bottle filling spout should be connected to the drainpipe and the water supply.

The bottle filling spout should be secured from underneath the fountain top using the stainless steel washer and brass nut. A coupler is provided to connect the inlet nipple to 15mm dia pipe. A suitable thread sealant approved for potable water should be used. The waste fitting should be connected to a proprietary trap and waste pipe.

Prior to final connection the water supply pipe should be flushed through to ensure that no debris is allowed to enter the bottle filling spout which may affect its performance.

The lower cover can now be fitted to the mounting frame using the security screws provided.

## Water Flow Adjustment

The flow from the bottle filler spout has an adjustment screw which may be set to achieve the desired water flow. Undo the nut, taking care not to lose the button which fits inside the nut. Then adjust the flow rate with a screwdriver by turning the screw fitting by ¼ turns.

## Earthing Continuity

All bottle filling fountains are provided with a number of fixing points on to which an earthing continuity wire with an end terminal can be secured.

## Maintenance

Routine cleaning is necessary to maintain the appearance of stainless steel. Washing with soap or a mild detergent and warm water, applied with a sponge or bristle brush, followed by a clear water rinse is all that is required.

## Warning

If the bottle filling fountain is to be mounted outside, in accordance with good plumbing practice the supply and valve should be isolated and drained down during winter months to prevent freezing.

Unit 1, Elphicks Farm, Spelmonden Road, Horsmonden, Tonbridge. Kent TN12 8EL  
Phone: 01580 211648 E-mail: [info@cactuswatersystems.co.uk](mailto:info@cactuswatersystems.co.uk)