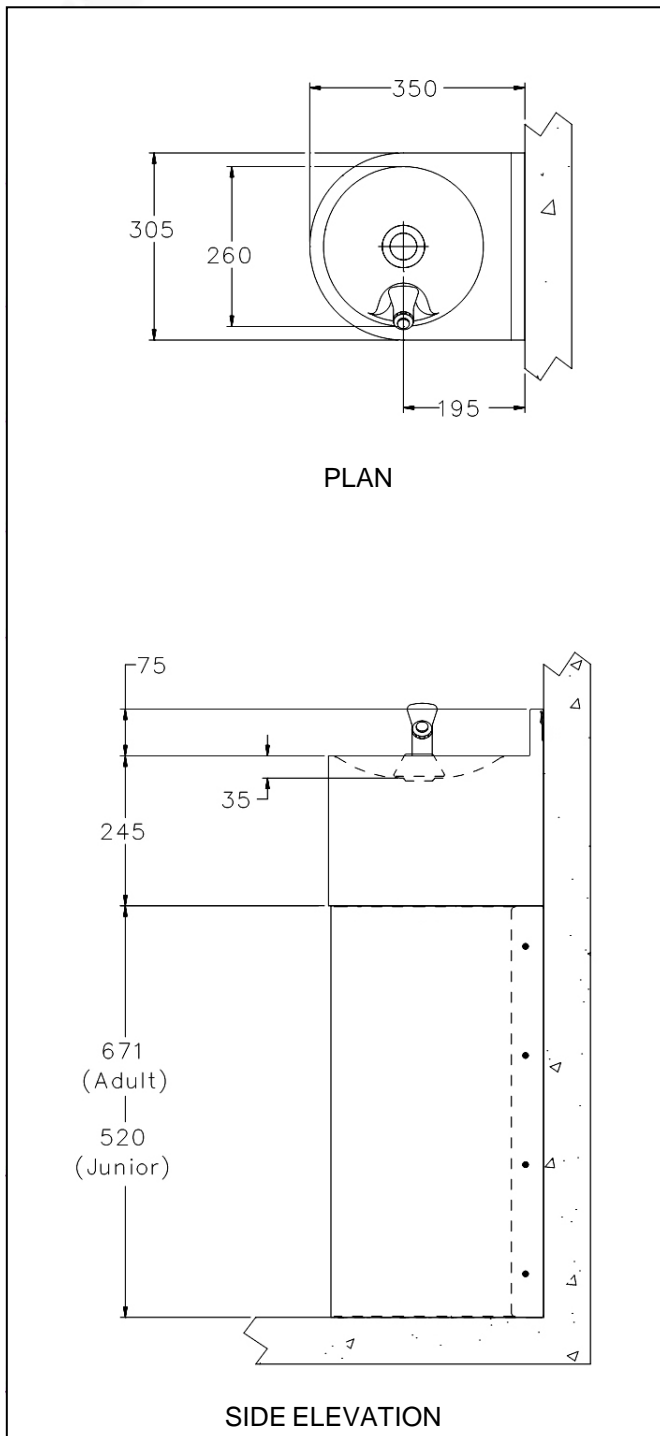


FLOOR STANDING BOTTLE FILLING FOUNTAIN

Technical Specification

PRODUCT CODE
CWS FSBFA 473

JANUARY 2015



Waste Outlet

The bottle filling fountain is supplied with a 32 mm (1¹/₄ in) BSP flush grated waste fitting

Bottle Filling Valve

The bottle filling fountain is supplied with a chrome plated swan neck bottle filler with self closing push button valve. The valve incorporates a flow adjuster and strainer and is supplied with a water inlet fitting to suit 15 mm diameter pipework.

Product Code Selection for Order or Quotation

1. Base Product Code

- 473 -adult height floor standing bottle filling fountain
- 474 -junior height floor standing bottle filling fountain

PLEASE NOTE:

The diagrams show models 471 and 472.

The dimensions are identical except for the bottle filler itself

Unit 1, Elphicks Farm, Spelmonden Road, Horsmonden, Tonbridge. Kent TN12 8EL
Phone: 01580 211648 E-mail: info@cactuswatersystems.co.uk

Cactus Water Systems / the manufacturer reserve the right to change the design and specification of goods without notice. Descriptions in this sheet are correct at time of going to press but are subject to alteration. Details of any changes will be available