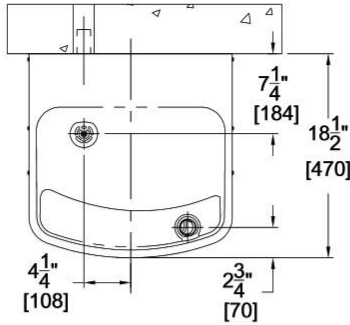


# WALL MOUNTED BARRIER FREE DDA WATER COOLER

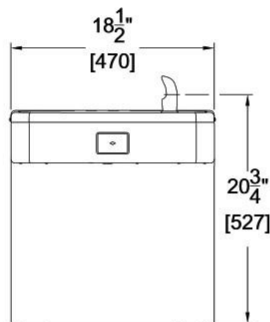
Technical Specification

PRODUCT CODE  
**CWS DDS 408**

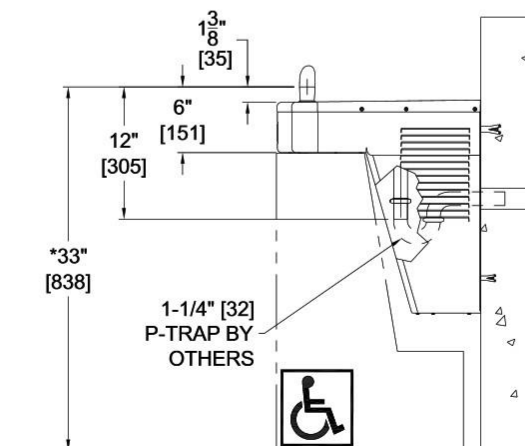
JULY 2016



Plan



Front Elevation



Side Elevation

measurements are for adult  
height fixing: adjust as required  
for junior or disabled use

## Construction

The top of the wall mounted barrier free water cooler is manufactured from grade 304 stainless steel. The shroud is manufactured from stainless steel.

## Capacity

The wall mounted barrier free water cooler chills 30.3 litres of water per hour from 26.7°C to 10°C.

## Waste Outlet

The top of the water cooler incorporates an integral 32 mm (1 1/4") BSP waste outlet fitting

## Refrigerant

Cooling system uses R-134a refrigerant, capillary tube controlled, and the unit is provided with a copper tube on stainless steel tank evaporator.

## Compliance

The wall mounted barrier free water cooler is compliant with ANSI/NSF 61 section 9 and has been listed by Underwriters Laboratories for both the US and Canada as compliant to the Air Conditioning and Refrigeration Institute Standard 1010.

## Water Pressure and Supply

The water cooler is designed to operate with water pressures rated between 1.50 bar to 7.00 bar. The water inlet pipe incorporates a Y strainer and terminates in a push fit connection to suit 15 mm diameter pipe.

## Specification for Order or Quotation

### 1. Base Product Code

- CWS DDS 408-220v -Wall mounted barrier free water cooler stainless steel shroud.

### 2. Options

- GF1 -glass filler swan-neck type (supplied in addition to the bubbler valve)
- BF2-S -Integrated bottle filler, push button
- BF3-S -Integrated bottle filler, sensor operated
- 115v -115 volt unit for export