

BOTTLE FILLING STATION

May 2019

Technical Specification

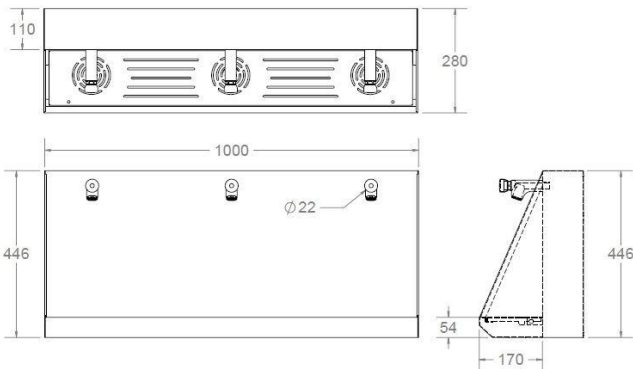


Dimensions

Height: 446mm
Front to back: 204mm
Width: 1000mm

Materials

Grade 304 stainless steel 1.2mm thick / WRAS Approved press button time flow bottle filling tap(s) / 32mm flush grated waste



Technical Drawing illustrating the 3-berth option

Unit 1, Elphicks Farm, Spelmonden Road, Horsmonden, Tonbridge. Kent TN12 8EL
Phone: 01580 211648 E-mail: info@cactuswatersystems.co.uk

Cactus Water Systems / the manufacturer reserve the right to change the design and specification of goods without notice. Descriptions in this sheet are correct at time of going to press but are subject to alteration. Details of any changes will be available